

MCH-4110 HDMI Video to Fiber Converter

PAMIX HDMI optical transmitter and receiver pair adapts the uncompressed digital HD video to high speed digital optical fiber transmission technology. PAMIX HDMI video to fiber converter enables customer to transmit video signals for very long distances up to 10km over SM fiber, it is very ideal for building security rooms and many other applications.



Main Features

- Support resolution 1080P60 and lower
- Single Mode optical fibers are supported.
- Support HDMI1.3b standard, HDCP1.1 protocol and CEC.
- Independent analog audio
- Automatic identification for display mode
- ESD protection circuit for high quality videos
- Plug and play, no need for configuration.

Specification

HDMI Input / Output

Video Format 1920 x 1080P60, 1920 x 1080P50, 1920 x 1080P30, 1920 x 1080P25, 1920 x 1080P24, 1920 x 1080I60, 1920 x 1080I50, 1280 x 720P60, 1280 x 720P50

Audio

Audio Input & Output 3.5mm audio
 Input & Output Audio Format 44.1K, 48K, 96K, 176K, 192K

Optical

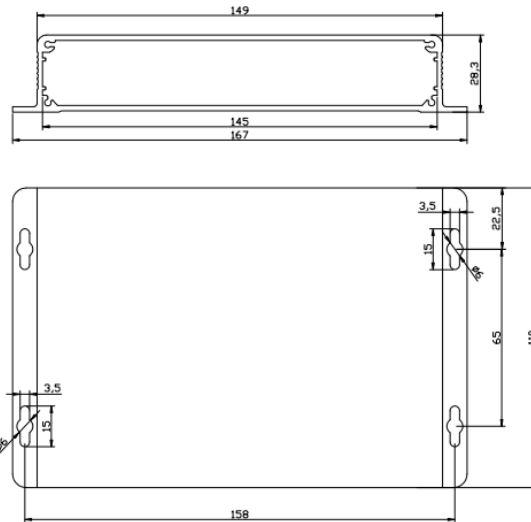
Interface LC (SFP)
 Fiber Type Single Mode, single fiber
 Distance Maximum 10km

Power

Input voltage 5V DC, 2A
 Power Consumption 2.5W per each transmitter or receiver

Environmental

Operating Temperature -10°C - 55°C
 Humidity 0% - 95% noncondensing



Ordering Information

Description

PAMIX MCH-4110 HDMI to Single Mode Fiber Converter, HDMI, BIDI Audio, BIDI RS232, SFP Slot, (shipped in pairs with LC transceivers).

Article Number

5101090